

SPAX[®]

The ideal screw for
**solid-wood
flooring**



**No
pre-drilling!**

Decisive advantages:

- No splitting
- Easy countersinking
- Screw grips immediately
- Rapid fastening



The ideal screw for laying

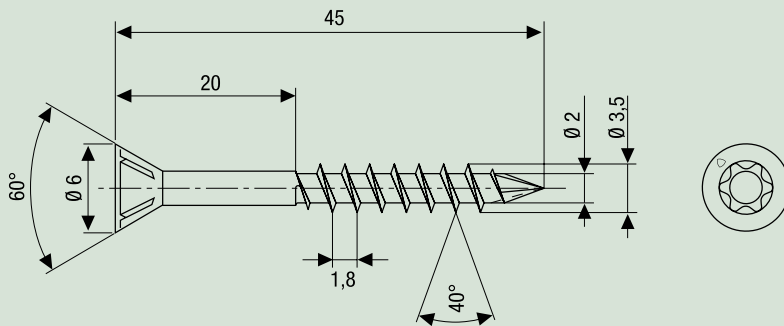
solid-wood flooring

The ideal screw for laying solid-wood flooring: the specialised screw geometry with the CUT point prevents wood splitting.

The specially formed point ensures immediate grip, ribs under the head ease countersinking, and the narrow head make the **SPAX**® particularly easy to screw into the material.



SPAX® pour les sols en bois massif



Features of SPAX® floorboard screws:

- Dimensions 3,5 x 45 mm + 3,5 x 55 mm
- **T-STAR plus** T10 torque transfer
- Narrow head
- Flat head with ribs underneath
- Partial thread
- **CUT point**
- Galvanised, yellow passivation
- 500 pcs per packing unit; screwdriver bit included



SPAX® for solid-wood flooring gives you even more benefits:

- Lower torque while screwing in, more rapid fastening, and stronger grip due to patented ground serrations.
- Optimised head geometry ensures secure bit seat, effective torque transmission.
- The high degree of hardness in the thread and the tough shaft in the screw enable strong, effective penetration into the material.

SPAX UK Ltd.

ALTENLOH, BRINCK & CO - GROUP

UNIT 9 · CALIBRE INDUSTRIAL ESTATE · LACHES CLOSE
FOUR ASHES · WOLVERHAMPTON · WEST MIDLANDS · WV10 7DZ · GREAT BRITAIN
TEL +44 (0) 1902-70 33 55 · FAX -70 33 59 · uk@spax.com · www.spax.com